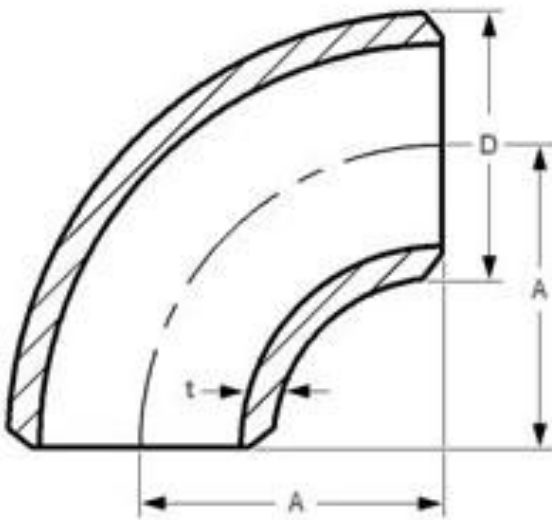


90 Degree Elbow Dimensions

The dimensions of a 90 degree elbow depend on the size of the pipe or tubing and the type of fitting. Generally, the centerline radius e.g. CLR is used to describe the curvature of the elbow, and it's usually 1.5 times the pipe's outer diameter e.g. OD for a standard 90-degree elbow. However, this can vary depending on the specific fitting and manufacturer.

Other dimensions that can be used to describe a 90-degree elbow include the overall length, the thickness of the wall, and the end connection type. These dimensions can be found in the product catalog or specifications of the specific manufacturer or supplier. Download this 90 degree elbow dimensions chart pdf for your later reference.



Inch.	ND	millimeter	Center to center	Radius	Center to end	Back to face
D			O	A	B	K
1/2	15	21,34	76,20	38,10	15,87	47,62
3/4	20	26,67	57,15	28,57	11,11	42,86
1	25	33,40	76,20	38,10	22,22	55,56
1 1/4	32	42,16	95,25	47,60	25,40	69,85
1 1/2	40	48,26	114,30	57,15	28,57	82,55
2	50	60,32	152,40	76,20	34,92	106,40
2 1/2	65	73,02	190,50	95,25	44,45	131,80
3	80	88,90	228,60	114,30	50,80	158,75
3 1/2	90	101,60	266,70	133,35	57,15	184,15
4	100	114,30	304,80	152,40	63,50	209,55
5	125	141,30	381,00	190,50	79,38	261,90
6	150	168,27	457,20	228,60	95,25	312,70
8	200	219,07	609,60	304,80	127,00	414,30
10	250	273,05	762,00	381,00	158,75	517,50
12	300	323,85	914,40	457,20	190,50	619,10
14	350	355,60	1066,80	533,40	222,25	711,20
16	400	406,40	1219,20	609,60	254,00	812,80
18	450	457,20	1371,60	685,80	285,74	914,40
20	500	508,00	1524,00	762,00	317,50	1016,00
22	550	558,80	1676,40	838,20	342,90	1117,60
24	600	609,60	1828,80	914,40	381,00	1219,20
28	700	711,20	2133,60	1066,80	441,90	1422,40